

Split Systems

Heating and cooling solutions



Perfecting the Air

Every day we breathe in 10,000 litres of air. It nourishes us. Enriches us. A deep breath of clean air is exactly what nature intended. It's amazing that something we can't see can make such a difference to our health and well-being – and it's why we believe every breath should be 'perfect'.

At Daikin, we've been 'perfecting the air' for over 50 years to make your home a calm and comfortable place – for you and your family.

As 'Air Specialists', Daikin is driven to improve all aspects of indoor air quality - from temperature and humidity, to flow and cleanliness.



Contents

| | |
|--|----|
| Indoor Air Quality and Health | 4 |
| Market-leading Streamer Technology | 5 |
| Comfort Reinvented | 6 |
| Zoned Energy Rating Label | 8 |
| Product Overview | 10 |
| Zena | 12 |
| Alira X | 14 |
| Cora | 16 |
| XL Series | 18 |
| Floor Standing | 20 |
| Mobile Controller | 22 |
| Why Choose a Daikin Specialist Dealer? | 24 |
| Product Specifications | 25 |
| Features Checklist | 33 |

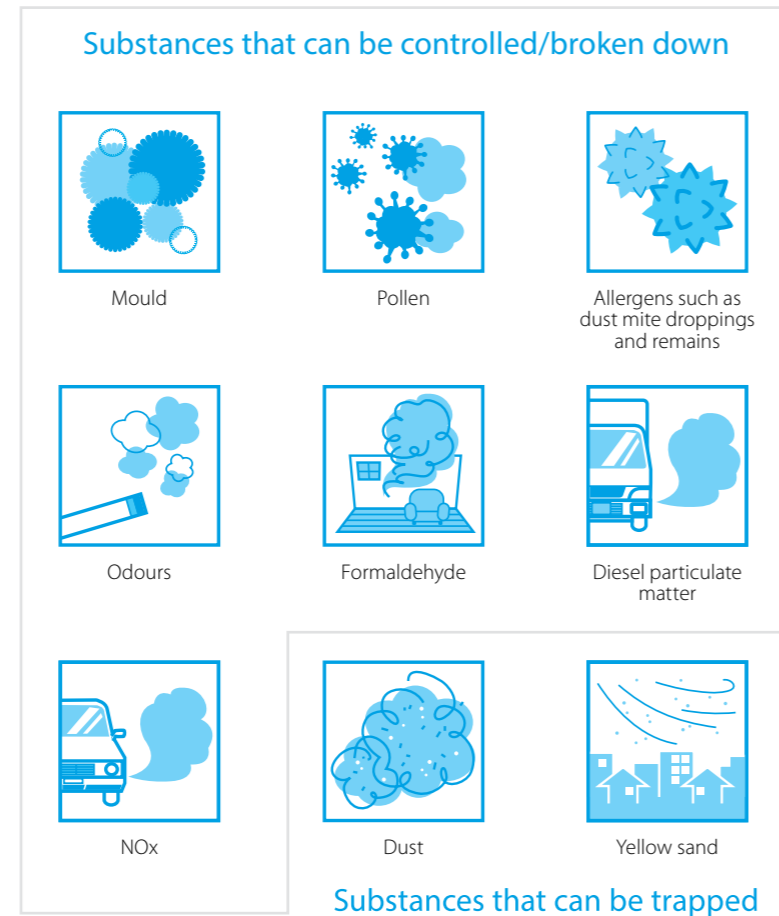
Indoor Air Quality and Health

Did you know that Australians spend around 90% of their time indoors? While we're all very aware of what affects outdoor air quality, we don't often consider what our indoor air quality is like and how it could impact the health of our family.

The air inside any home contains a range of pollutants and allergens that can contribute to poor indoor air quality, leading to potentially serious health problems for occupants.

At Daikin, we're dedicated to delivering products and technologies that not only create a comfortable living environment, but also a healthy environment. A range of our products features innovative technology that is designed to greatly reduce the presence of contaminants in the home so you can rest easy knowing your indoor air quality is at an optimum level.

Common household pollutants



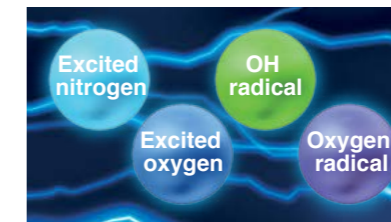
Market-leading Streamer Technology

The secret to high performance air purification is Daikin's Streamer Technology. This innovative technology, available in Daikin Air Purifiers and select Daikin Split System models, features a high-power plasma discharge that generates high-speed electrons to decompose harmful substances. This powerful oxidative decomposition process continuously removes odours, bacteria and indoor air pollutants such as formaldehyde for superior air purification.

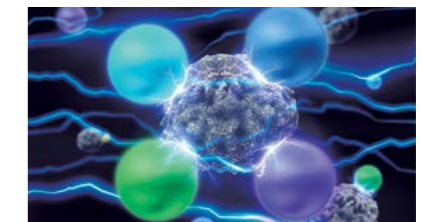
Compared to standard plasma discharge, the speed of oxidative decomposition is over 1000 times greater with the same electrical power!



Streamer emits high-speed electrons.



The electrons collide and combine with nitrogen and oxygen in the air to form four kinds of elements with powerful oxidative decomposition capabilities.



These elements break down unwanted substances.

How effective is Daikin Streamer Technology?



More than 99.6%¹ in 2 hours



More than 99.9%² in 24 hours



More than 99.61%¹ in 24 hours

Streamer Technology - the three C's

CLASH
Decomposes harmful substances trapped by the High Efficiency Particulate Filter.



STREAMER

CYCLE
Maintains the deodorising filter's deodorising capacity by assisting odour decomposition.

CLEAN
Removes bacteria from all filters allowing them to be maintenance free and increasing filter longevity.



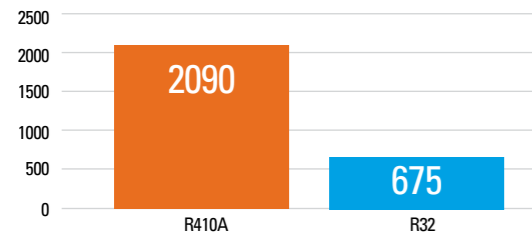
¹ Verified at Wakayama Medical University with the following test condition: Irradiated allergens with Streamer & checked decomposition of allergen proteins by either the ELISA method, electrophoresis or electron microscopy.
² Verified at Japan Food Research Laboratories using antibacterial test/mould elimination test (test number: 204041635-001).

Comfort Reinvented

For over 90 years, Daikin has invested heavily in Research and Development to deliver more effective climate control for you and your family. Daikin technologies help make Daikin air conditioners energy efficient, powerful, reliable and easy to use.

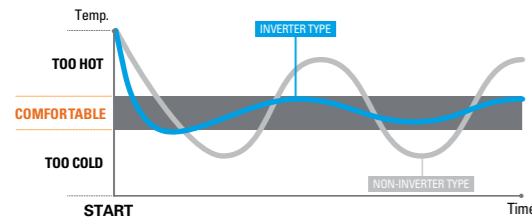
Here are some examples of the innovative technology you can find in your Daikin split system.

GLOBAL WARMING POTENTIAL



R32 refrigerant

All Daikin wall mounted split systems use R32 refrigerant. With a lower global warming potential and a higher refrigeration potential than refrigerants such as R410A, R32 systems can deliver more efficient cooling and heating with less risk of harm to the environment.



Inverter technology

An inverter system works like the accelerator of a car, gently increasing or decreasing power - helping reach the desired temperature more quickly, and steadily maintain it without fluctuations. That means uninterrupted comfort and significant savings on running costs.

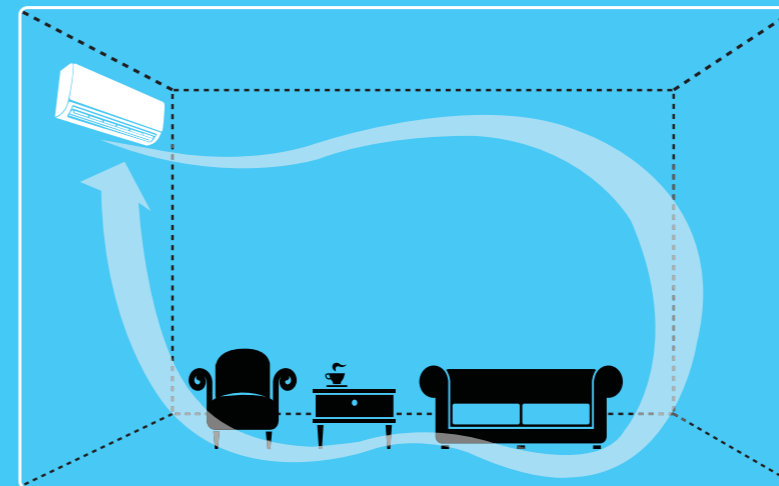


Neodymium Magnet 10x Stronger

Ferrite Magnet

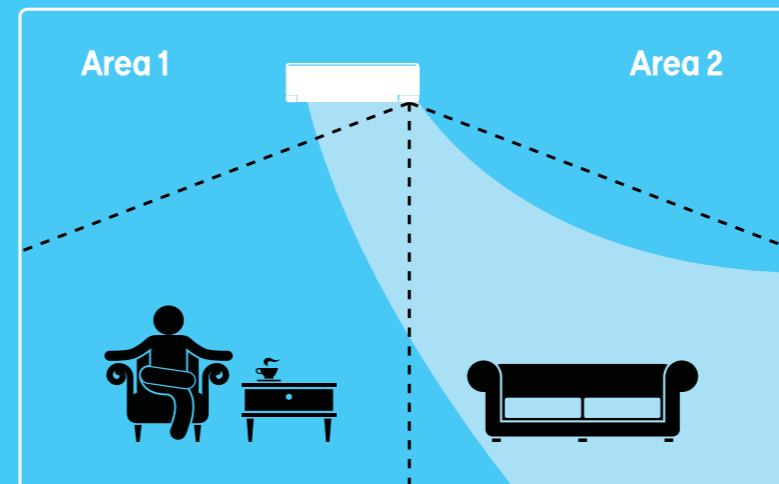
Reluctance DC motor

Our outdoor units incorporate Daikin's Reluctance DC motors. These motors which drive our compressors, use the magnetic torque of neodymium magnets in conjunction with reluctance torque, which can boost efficiency by up to 40% more than conventional motors.



COANDA AIRFLOW TECHNOLOGY

Our wall mounted indoor units* feature an advanced louvre design for streaming air upwards along the ceiling and creating a circulatory air motion in the occupied space. This ensures rapid cooling of the area, even temperature distribution and improved comfort levels.

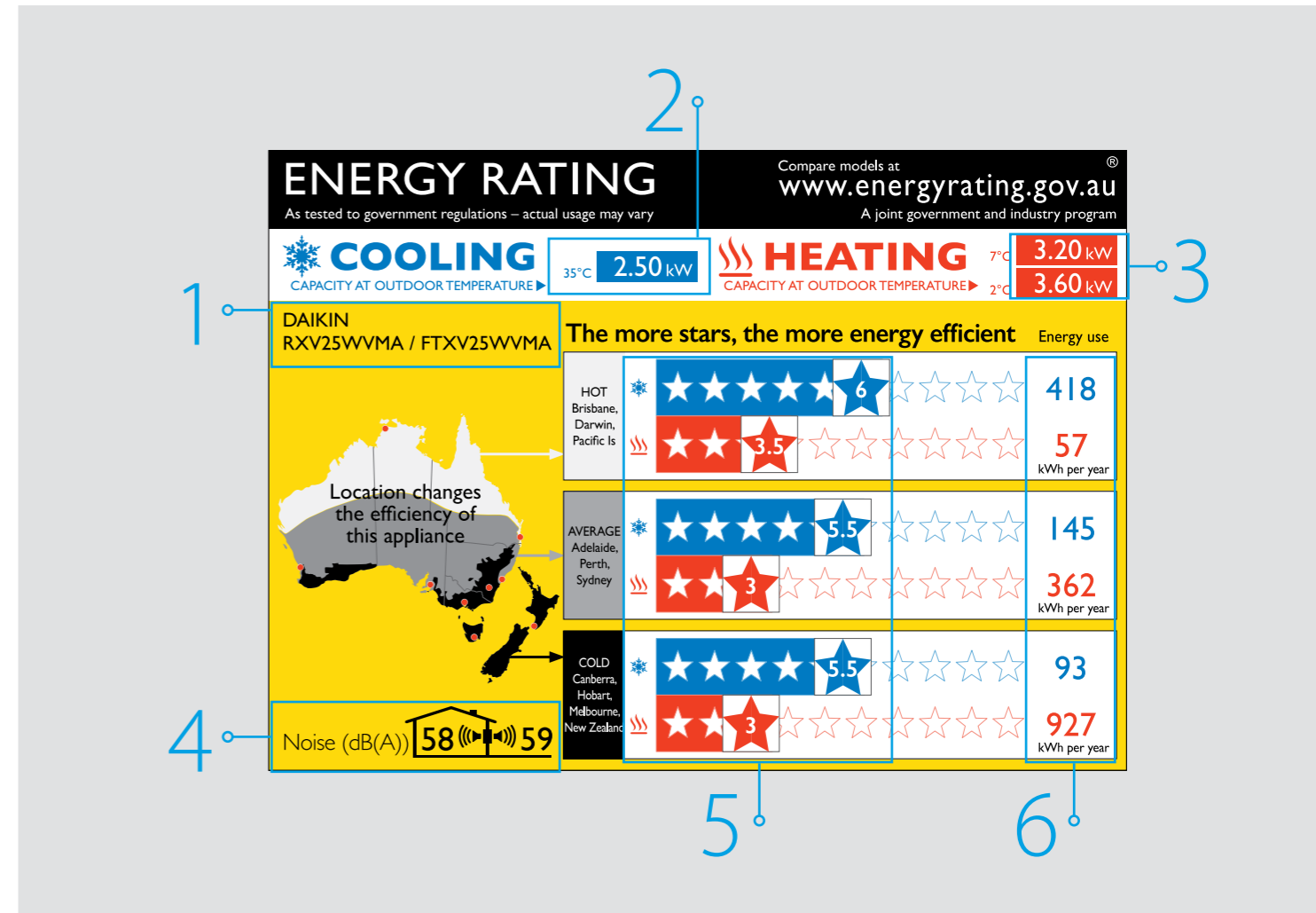


INTELLIGENT EYE SENSOR

Each indoor wall mounted model is fitted with Daikin's trademark Intelligent Eye human sensor. This sensor cleverly switches the unit into energy saving mode when the room is unoccupied. On models fitted with the more advanced 2-Area variant, the intelligent eye can also be used to provide draught free comfort.

Draught free comfort operations: If occupant detected in area 1, airflow is directed away

*Only applicable to Alira X & Cora 20-71 Class Models, and all Zena Models



Zoned Energy Rating Label

In simple terms, the Zoned Energy Rating Label (ZERL) enables you to compare the performance of different air conditioners in a number of ways. These include capacity output, energy efficiency as well as sound levels.

To understand the energy efficiency of a product, the star rating system explains this simply with more stars signifying a more efficient product up to a maximum of ten possible stars.

With Australia's considerable geographic and climatic diversity, the same product installed in Darwin will perform differently further south in Sydney or Melbourne.

As a result, the rating system divides the continent into three distinct climate zones (hot, average, and cold), which allows you to easily identify and compare air conditioners within the climatic zone you live in. The more stars, the more efficient the air conditioner will be.

How to read the label

1. Brand & model

This is the brand and model number of the air conditioner. Use this to ensure you are looking at the right information for your desired model.

2. Cooling capacity

This is the available cooling capacity (kW) of the air conditioner when at an indoor temperature of 27°C & outdoor temperature of 35°C (T1)*.

3. Heating capacity

This is the available heating capacity (kW) of the air conditioner when at an indoor temperature of 20°C & outdoor temperature of 7°C (H1) or 2°C (H2)*.

4. Sound levels

The values indicate the sound power level[^] of the indoor unit and the outdoor unit. Lower numbers reflect quieter operation.

5. Star ratings

The stars show you how efficient the air conditioner will perform in each of the three climate zones. The more stars, the more efficient.

6. Energy usage






This tells you the energy usage of the air conditioner per year for cooling & heating. The lower the kWh used, the lower the running cost (multiply by your electricity tariff for estimated running cost).

*The capacity is determined under conditions T1 (cooling), H1 & H2 (heating) of AS/NZS 3823.1.1

[^]Measured under conditions T1 (cooling) of AS/NZS 3823.1.1

Product Overview

LEGEND

-  Uses R32 refrigerant which has a lower 'Global Warming Potential' Factor than R410A
-  Approved by the Sensitive Choice® program from the National Asthma Council Australia
-  Optional Wi-Fi available
-  Built-in Wi-Fi
-  Built-in Streamer Technology for air purification
- ERL** Refers to 'Energy Rating Label' star rating as outlined in the GEMS 2013 Determination
- ZERL (Residential)** Refers to 'Zoned Energy Rating Label' residential star rating as outlined in the GEMS 2019 Determination

Zena

2.5kW to 6.0kW (8 models)

Stylish designer model engineered with the latest technology and built-in Wi-Fi capability. Available in White Hair Line or Black Wood finish.

Key features

- › Ultra Compact Design
- › Streamer Technology
- › Intelligent Eye
- › Grid Eye Sensor
- › Vertical Airflow
- › Built-in Wi-Fi



| STAR RATING | CLASS | 25 | 35 | 50 | 60 |
|---------------------------------|-------|-------------|---------------|-----------|---------------|
| ZERL (Residential) Hot/Avg/Cold | COOL | 4/3.5/3.5 ★ | 3.5/3.5/3.5 ★ | 3.5/3/3 ★ | 2.5/2.5/2.5 ★ |
| | HEAT | 3/3/2.5 ★ | 3/2.5/2 ★ | 3/2.5/2 ★ | 3/2.5/2 ★ |

Alira X

2.2kW to 7.1kW (7 models)

Alira X is a step ahead of the rest, delivering a perfect fusion of whisper quiet comfort, industry leading energy efficiency and indoor air quality technology.

Key features

- › 2-Area Intelligent Eye (20-46 Class only)
- › Intelligent Eye (50-71 Class only)
- › Enzyme Blue Deodorising Air Purification Filter
- › Streamer Technology
- › Mould Proof Operation
- › Built-in Wi-Fi



| STAR RATING | CLASS | 20 | 25 | 35 | 46 | 50 | 60 | 71 |
|---------------------------------|-------|-------------|-----------|-------------|-------------|-----------|-------------|-------------|
| ZERL (Residential) Hot/Avg/Cold | COOL | 6/5.5/5.5 ★ | 6/5.5/6 ★ | 5/5/5 ★ | 4.5/4/4.5 ★ | 5.5/5/5 ★ | 4.5/4.5/5 ★ | 4/3/3.5 ★ |
| | HEAT | 3.5/3.5/3 ★ | 4/3.5/3 ★ | 3.5/3.5/3 ★ | 4/3.5/3 ★ | 4/3.5/3 ★ | 4/3/2.5 ★ | 3.5/3/2.5 ★ |

Cora

2.0kW to 7.1kW (7 models)

Delivered in understated confidence, the Cora series comes fully featured with whisper quiet operation and without compromise on style.

Key features

- › 2-Area Intelligent Eye (20-46 Class only)
- › Intelligent Eye (50-71 Class only)
- › Enzyme Blue Deodorising Air Purification Filter
- › Coanda Airflow
- › Compact Form Factor



| STAR RATING | CLASS | 20 | 25 | 35 | 46 | 50 | 60 | 71 |
|---------------------------------|-------|-------------|-------------|-------------|-------------|-------------|-------------|-----------|
| ZERL (Residential) Hot/Avg/Cold | COOL | 5.5/4.5/5 ★ | 6/5.5/5.5 ★ | 5/4.5/5 ★ | 4/3.5/4 ★ | 5/4.5/5 ★ | 4/4/4 ★ | 3.5/3/3 ★ |
| | HEAT | 3/3/2.5 ★ | 3.5/3/3 ★ | 3/2.5/2.5 ★ | 3/2.5/2.5 ★ | 3.5/3/2.5 ★ | 3.5/3/2.5 ★ | 3/2.5/2 ★ |

XL Series

8.5kW to 9.4kW (4 models)

Large capacity models designed for large open plan living. Available in two ranges; XL and the more energy efficient XL Premium.

Key features

- › Intelligent Eye
- › Inverter Powerful Operation
- › Enzyme Blue Deodorising Air Purification Filter
- › 3-D Airflow
- › Comfort Mode



| STAR RATING | CLASS | XL PREMIUM | | XL | |
|---------------------------------|-------|-------------|-------------|-----------|-------------|
| | | 85 | 95 | 85 | 95 |
| ZERL (Residential) Hot/Avg/Cold | COOL | 2.5/2/2 ★ | 3/2.5/2.5 ★ | 2.5/2/2 ★ | 2.5/2/2 ★ |
| | HEAT | 2.5/2.5/2 ★ | 2.5/2/1.5 ★ | 2.5/2/2 ★ | 2.5/2/1.5 ★ |

Floor Standing

2.5kW to 7.1kW (6 models)

Compact floor standing unit, ideal for colder climates and placement under a window sill or semi-recessed in an unused fireplace.

Key features

- › Dual Discharge Vents
- › Hot Start
- › Titanium Apatite Deodorising Air Purification Filter
- › Wide Operation range (as low as -15°C)
- › Quiet Turbo Fan



| STAR RATING | CLASS | 25 | 35 | 45 | 50 | 60 | 71 |
|---------------------------------|-------|-------------|-----------|-------------|-------------|-------------|-----------|
| ZERL (Residential) Hot/Avg/Cold | COOL | 3.5/3/3.5 ★ | 3.5/3/3 ★ | 3/2.5/2.5 ★ | 4/3.5/3.5 ★ | 3/2.5/3 ★ | 3/2.5/3 ★ |
| | HEAT | 3.5/3/2.5 ★ | 3/2.5/2 ★ | 3/2.5/2 ★ | 3.5/2.5/2 ★ | 2.5/2/1.5 ★ | 2/2/1.5 ★ |

Engineered with the latest technology, its stylish and elegant design integrates seamlessly into the modern home. Available in White Hair Line or Black Wood finish.



2.5kW
- TO -
6.0kW
CAPACITY RANGE

8
MODELS

Zena

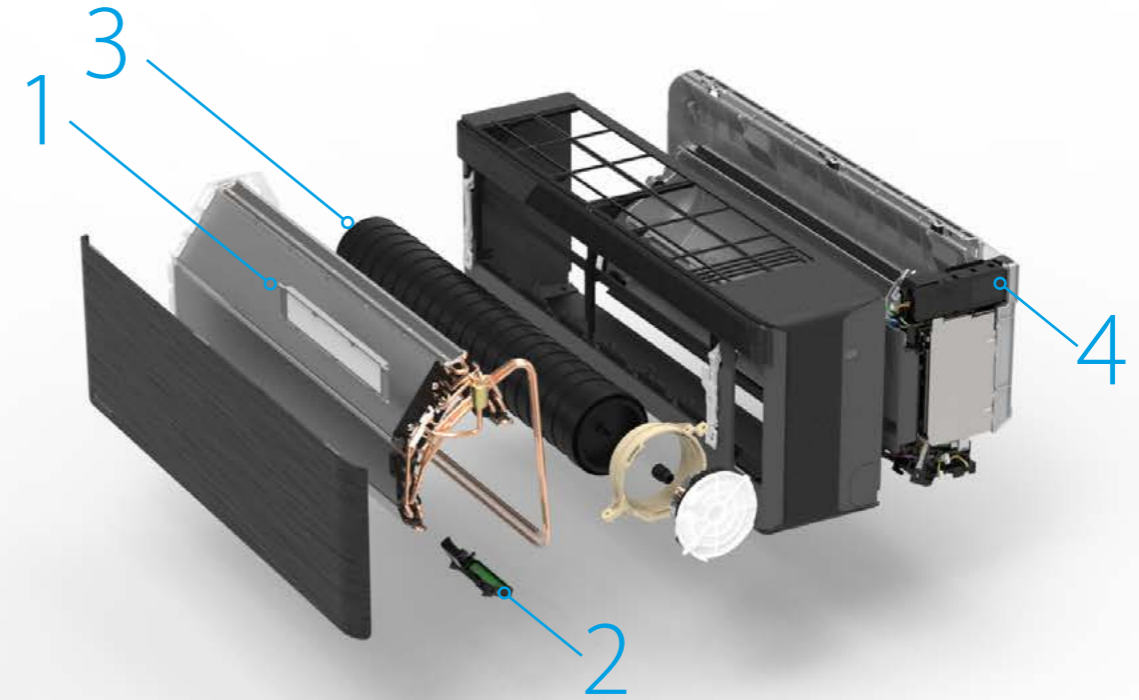
Designed to impress

- R32 refrigerant**
R32 is the next generation in refrigerants with 66% lower 'Global Warming Potential Factor' than R410A, providing less risk of harm to the environment.
- Built-in Wi-Fi**
The Wireless LAN module for connection to Daikin's Mobile Controller smartphone interface is now conveniently included inside the casing of the indoor unit.
- Vertical airflow**
During heating operation, the discharge louvres stream airflow down the wall and towards the floor for improved temperature distribution and comfort.

- Ultra compact design**
Zena not only exudes elegance in design, it is packaged in an ultra compact discreet casing size of only 295mm high, 798mm wide and 185mm deep.
- Coanda airflow**
Discharge louvres are specially designed to stream air upwards along the ceiling for longer throws and delivering rapid cooling and even temperature distribution in the occupied space.
- Intelligent comfort**
Each model is fitted with Daikin's Intelligent Eye that automatically enables energy saving operations when the room is unoccupied for 20 minutes.

Note: Please see features checklist on page 33 for full list of features

See how Zena would look in your home with the **Daikin ExplorAir app**.



Mobile Controller Interface (Included)
Daikin's Mobile Controller Smartphone Interface allows you to control your Daikin Split System from anywhere, anytime.

Technology

- Advanced filter**
The titanium apatite deodorising air purification filter traps microscopic particles, decomposes odours and even deactivates bacteria.
- Grid eye sensor**
An additional built-in Grid Eye Sensor further monitors the floor temperature during heating and adjusts airflow direction to ensure even room temperature.
- Saw edge fan**
Our new 'Saw Edge' aerofoil blade design delivers greater volumes of air quietly whilst retaining Zena's compact form factor.
- Streamer Technology**
Discharges high speed electrons generating powerful oxidative decomposition that has been proven to eliminate more than 99.6%* of pollen in 2 hours, 99.9% of mould in 24 hours** and 99.61% of allergens in 24 hours*.



Energy rating

| STAR RATING | CLASS | 25 | 35 | 50 | 60 |
|---------------------------------|-------|-------------|---------------|-----------|---------------|
| ZERL (Residential) Hot/Avg/Cold | COOL | 4/3.5/3.5 ★ | 3.5/3.5/3.5 ★ | 3.5/3/3 ★ | 2.5/2.5/2.5 ★ |
| | HEAT | 3/3/2.5 ★ | 3/2.5/2 ★ | 3/2.5/2 ★ | 3/2.5/2 ★ |

ZERL (Residential) refers to 'Zoned Energy Rating Label' residential star rating as outlined in the GEMS 2019 Determination

*Verified at Wakayama Medical University with the following test condition: Irradiated allergens with Streamer & checked decomposition of allergen proteins by either the ELISA method, electrophoresis or electron microscopy.

**Verified at Japan Food Research Laboratories using antibacterial test/mould elimination test (test number: 204041635-001).

Alira X is a step ahead of the rest, delivering a perfect fusion of whisper quiet comfort, industry leading energy efficiency and indoor air quality technology.



2.2kW
- TO -
7.1kW
CAPACITY RANGE

7
MODELS

Alira X

A reflection of quality



Perfect fusion

New R32 Alira X is a perfect blend of progressive design aesthetic, superior energy performance & indoor air quality technology.



Advanced purification

Each model is fitted with three layers of filtration, prefilter for large particulates, enzyme blue deodorising filter for odours and Daikin's Streamer Technology for powerful oxidative decomposition of pollutants.



Built-in Wi-Fi

The Wireless LAN module for connection to Daikin's Mobile Controller smartphone interface is now conveniently included inside the casing of the indoor unit.



Mould-proof operation

Activates after cooling or dry operation to prevent the build up of mould and odour.*



Intelligent comfort

The 2-Area Intelligent Eye** is so clever it can now either direct airflow towards you or away from you for draught free comfort. If the room is unoccupied the unit will automatically enable energy saving operations.



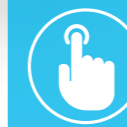
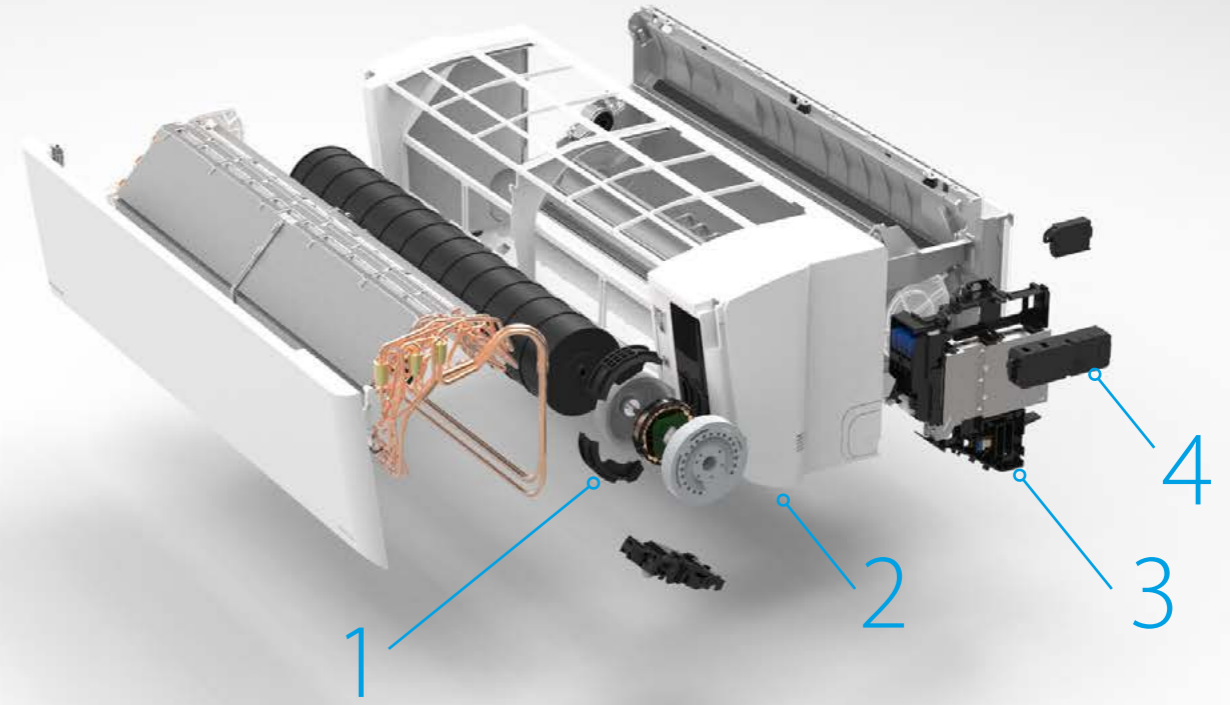
Coanda airflow

Discharge louvres are specially designed to stream air upwards along the ceiling for longer throws and delivering rapid cooling and even temperature distribution in the occupied space.

* Mould-proof operation function can be toggled (On/Off) via the wireless controller
**2-Area Intelligent Eye only applicable to 20-46 Class Models.

Note: Please see features checklist on page 33 for full list of features.

See how Alira X would look in your home with the **Daikin ExplorAir app**.



Mobile Controller Interface (Included)

Daikin's Mobile Controller Smartphone Interface allows you to control your Daikin Split System from anywhere, anytime.

Technology

1. Improved ODM motor

Improved compact 14 pole DC outer diameter rotor motor encased in rubber vibration dampeners delivers higher torque more efficiently than before while ensuring whisper quiet operations.

2. Redesigned dual louvres

Large dual louvres with aerodynamic end vanes help reduce turbulence for draught free comfort with longer throw distances of up to 10m (50-71 Class).

3. Humidity sensor

Monitors humidity to accurately control supply air temperature for comfortable and effective dehumidification of your room during Program Dry Function operation.

4. Streamer Technology

Discharges high speed electrons generating powerful oxidative decomposition that has been proven to eliminate more than 99.6%[^] of pollen in 2 hours, 99.9%^{^^} of mould in 24 hours and 99.61%[^] of allergens in 24 hours.



Energy rating

| STAR RATING | CLASS | 20 | 25 | 35 | 46 | 50 | 60 | 71 |
|------------------------------------|-------|-------------|-----------|-------------|-------------|-----------|-------------|-------------|
| ZERL (Residential) Hot/Avg/Cold | COOL | 6/5.5/5.5 ★ | 6/5.5/6 ★ | 5/5/5 ★ | 4.5/4/4.5 ★ | 5.5/5/5 ★ | 4.5/4.5/5 ★ | 4/3/3.5 ★ |
| | HEAT | 3.5/3.5/3 ★ | 4/3.5/3 ★ | 3.5/3.5/3 ★ | 4/3.5/3 ★ | 4/3.5/3 ★ | 4/3/2.5 ★ | 3.5/3/2.5 ★ |

ZERL (Residential) refers to 'Zoned Energy Rating Label' residential star rating as outlined in the GEMS 2019 Determination

[^]Verified at Wakayama Medical University with the following test condition: Irradiated allergens with Streamer & checked decomposition of allergen proteins by either the ELISA method, electrophoresis or electron microscopy.

^{^^}Verified at Japan Food Research Laboratories using antibacterial test/mould elimination test (test number: 204041635-001).

Delivered in understated confidence, featuring whisper quiet operation and premium comfort levels without compromising on style.



2.0kW
-TO-
7.1kW
CAPACITY RANGE

7
MODELS

Cora

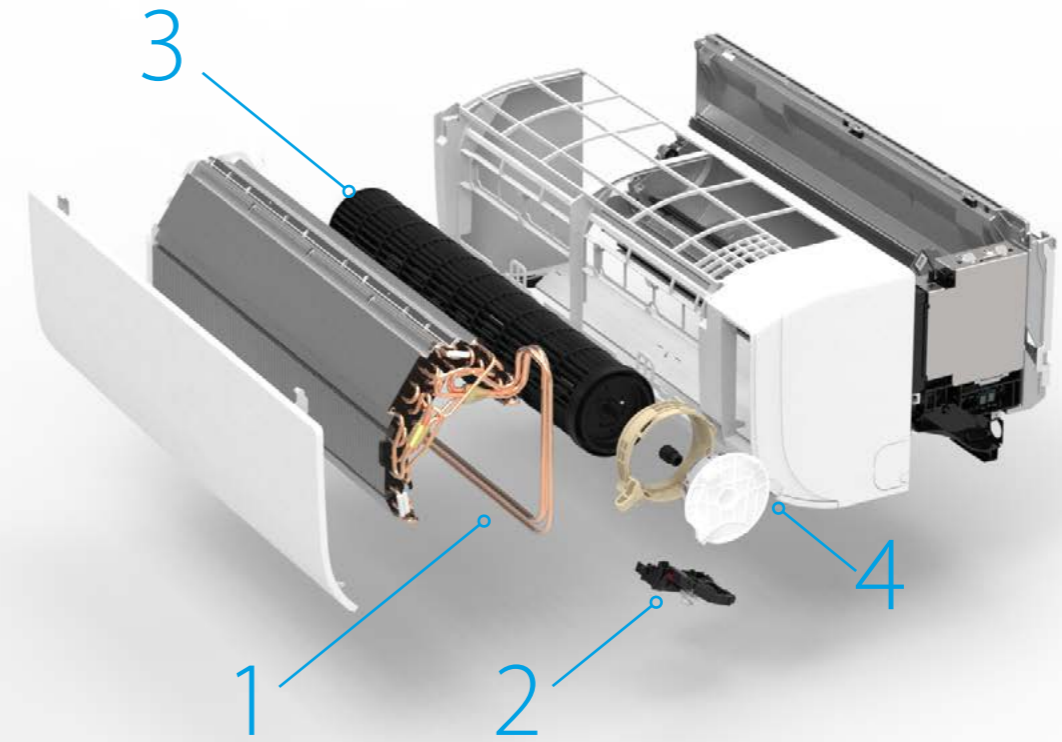
Styled to perform

- R32 refrigerant**
R32 is the next generation in refrigerants with 66% lower 'Global Warming Potential Factor' than R410A, providing less risk of harm to the environment.
- Inverter powerful operation**
Push the POWERFUL button on the remote control and you'll be relieved with a cooling or heating boost for a 20 minute period, even if the unit's already operating at high capacity.
- Precision control**
For even greater precision and control, you can now set your room temperature in increments of 0.5°C to ensure optimal comfort conditions all year round.

- Coanda airflow**
Discharge louvres are specially designed to stream air upwards along the ceiling for longer throws and delivering rapid cooling and even temperature distribution in the occupied space.
- Intelligent comfort**
The 2-Area Intelligent Eye* is so clever it can now either direct airflow towards you or away from you for draught free comfort. If the room is unoccupied the unit will automatically enable energy saving operations.
- Air purification**
Each model is fitted with an enzyme blue deodorising air purification filter that traps microscopic particles, decomposes odours and even deactivates bacteria.

*2-Area Intelligent Eye only applicable to 20-46 Class Models.
Note: Please see features checklist on page 33 for full list of features.

See how Cora would look in your home with the **Daikin ExplorAir app**.



Mobile Controller Interface (Optional)
Daikin's Mobile Controller Smartphone Interface allows you to control your Daikin Split System from anywhere, anytime.

Technology

- 1. Redesigned heat exchanger**
Slit type fin design with Ø5mm piping increases heat exchange area for improved capacity output and energy performance.
- 2. 2-Area Intelligent Eye**
Gives you the option to direct airflow either towards or away from you for draught free comfort. If no occupation is detected, the air conditioner operates in energy saving mode.
- 3. Cross flow fan**
Large diameter rotor with aerofoil blade design delivers larger volumes of air more quietly than ever before.
- 4. New ODM motor**
Compact 10 pole DC outer diameter rotor motor delivers higher torque more efficiently.

Energy rating

| STAR RATING | CLASS | 20 | 25 | 35 | 46 | 50 | 60 | 71 |
|------------------------------------|-------|-------------|-------------|-------------|-------------|-------------|-------------|-----------|
| ZERL (Residential) Hot/Avg/Cold | COOL | 5.5/4.5/5 ★ | 6/5.5/5.5 ★ | 5/4.5/5 ★ | 4/3.5/4 ★ | 5/4.5/5 ★ | 4/4/4 ★ | 3.5/3/3 ★ |
| | HEAT | 3/3/2.5 ★ | 3.5/3/3 ★ | 3/2.5/2.5 ★ | 3/2.5/2.5 ★ | 3.5/3/2.5 ★ | 3.5/3/2.5 ★ | 3/2.5/2 ★ |

ZERL (Residential) refers to 'Zoned Energy Rating Label' residential star rating as outlined in the GEMS 2019 Determination

Powerful airflow delivery, large capacity models designed for large open plan living. Available in two ranges, XL and the more energy efficient XL Premium.

XL PREMIUM



8.5kW
- & -
9.4kW
CAPACITY RANGE

2
PREMIUM
MODELS

REVERSE
CYCLE OR
COOLING
ONLY



XL



8.5kW
- & -
9.4kW
CAPACITY RANGE

2
MODELS

REVERSE
CYCLE



XL Series

Powerful performance

- R32 refrigerant**
R32 is the next generation in refrigerants with 66% lower 'Global Warming Potential Factor' than R410A, providing less risk of harm to the environment.
- Inverter powerful operation**
Push the POWERFUL button on the remote control and you'll be relieved with a cooling or heating boost for a 20 minute period, even if the unit's already operating at high capacity.

- Intelligent comfort**
Each model is fitted with Daikin's Intelligent Eye that automatically enables energy saving operations when the room is unoccupied for 20 minutes.
- Air purification**
Each model is fitted with an enzyme blue deodorising air purification filter that traps microscopic particles, decomposes odours and even deactivates bacteria.

Mobile Controller Interface (Optional)
Daikin's Mobile Controller Smartphone Interface allows you to control your Daikin Split System from anywhere, anytime.

- 3-D airflow**
The discharge louvres can work in a combination of vertical and horizontal auto swing to circulate air more effectively in larger rooms.
- Programme dry function**
Besides reducing humidity, this function automatically controls temperature and airflow rate and will cleverly switch into cooling mode if the room temperature rises too much.
- Comfort mode**
Airflow direction is optimised such that airflow is streamed upwards during cooling to prevent cold airflow being blown onto the body and downward during heating to drive warm air towards the floor of the room.
- Econo mode**
This mode limits the maximum power consumed by the system preventing the tripping of your circuit breaker should you have other household appliances operating simultaneously with your air conditioner.

Energy rating

| STAR RATING | CLASS | XL PREMIUM | | XL | |
|---------------------------------|-------|-------------|-------------|-----------|-------------|
| | | 85 | 95 | 85 | 95 |
| ZERL (Residential) Hot/Avg/Cold | COOL | 2.5/2/2 ★ | 3/2.5/2.5 ★ | 2.5/2/2 ★ | 2.5/2/2 ★ |
| | HEAT | 2.5/2.5/2 ★ | 2.5/2/1.5 ★ | 2.5/2/2 ★ | 2.5/2/1.5 ★ |

Note: XL Premium & XL have different appearances, please see features checklist on page 33 for full list of features

See how the XL Series would look in your home with the **Daikin ExplorAir app**.



ZERL (Residential) refers to 'Zoned Energy Rating Label' residential star rating as outlined in the GEMS 2019 Determination

Compact floor standing unit with a wide selection of capacities, ideal for placement under a window sill or semi-recessed into an unused fireplace.

2.5kW
- TO -
7.1kW
CAPACITY RANGE

6
MODELS



Floor Standing

Compact & convenient



Dual discharge vents

You can select to use either top, or top and bottom discharge vents to distribute air evenly through the room for better heating comfort.



Econo mode

This mode limits the maximum power consumed by the system preventing the tripping of your circuit breaker should you have other household appliances operating simultaneously with your air conditioner.



Wide operating range

Daikin's floor standing units are robust in design and feature an intelligent defrost system. So even when the mercury drops as low as -15°C, your home still stays comfortable in winter.



Standby power function

When the system is not in use, power supply to the outdoor unit is turned off and the indoor unit switches to standby mode.



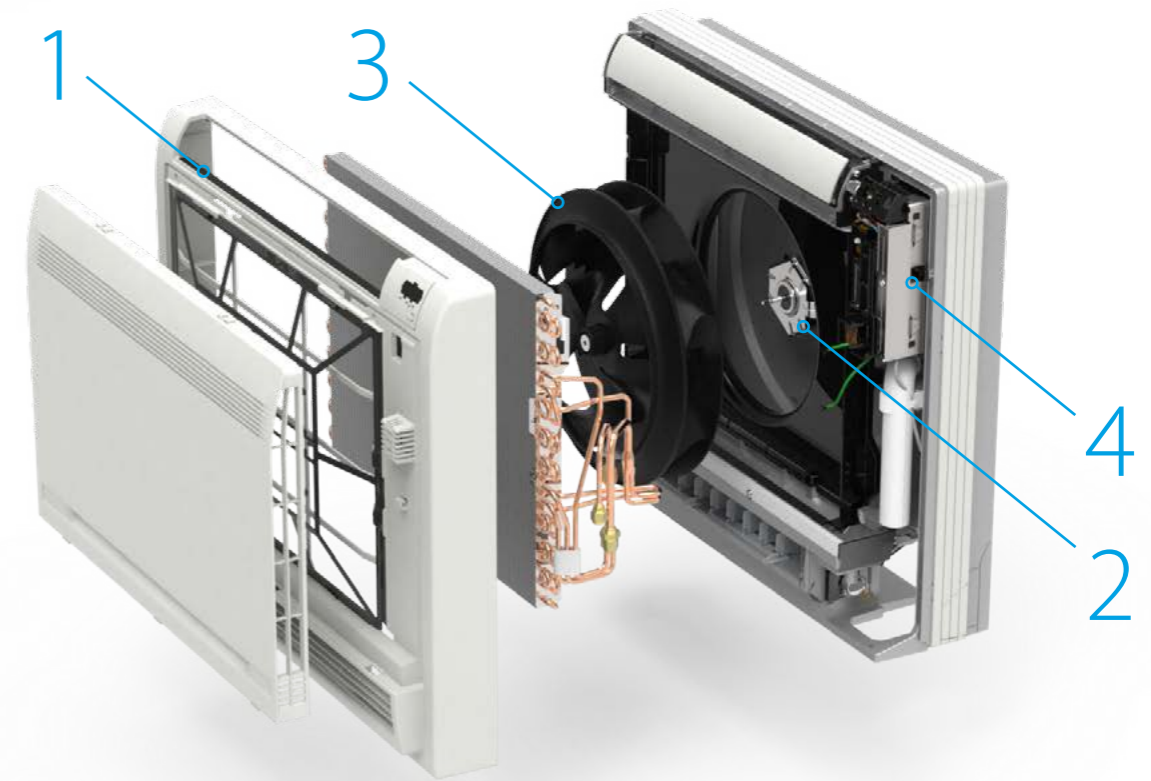
Hot start

Prior to heating, the indoor unit warms to a pre-set temperature before the fan switches on, ensuring only warm air is discharged and eliminating cold draughts.



Air purification

Each model is fitted with a titanium apatite deodorising air purification filter that traps microscopic particles, decomposes odours and even deactivates bacteria.



Technology

1. Advanced filtration

Features the combination of a particulate prefilter for collecting dust particles and a titanium apatite deodorising air purification filter.

2. Turbo fan

The large swept blades enable air to be discharged quietly and efficiently via both the top and bottom discharge vents for even airflow into the room.

3. DC fan motor

Daikin's DC Fan motor is efficient and compact, featuring five step fan speeds including quiet and auto mode.

4. Program dry function

When operating in this mode, the microprocessor intelligently adjusts temperature and airflow rate to reduce humidity with minimal compromise to comfort.

Energy rating

| STAR RATING | CLASS | 25 | 35 | 45 | 50 | 60 | 71 |
|------------------------------------|-------|-------------|-----------|-------------|-------------|-------------|-----------|
| ZERL (Residential) Hot/Avg/Cold | COOL | 3.5/3/3.5 ★ | 3.5/3/3 ★ | 3/2.5/2.5 ★ | 4/3.5/3.5 ★ | 3/2.5/3 ★ | 3/2.5/3 ★ |
| | HEAT | 3.5/3/2.5 ★ | 3/2.5/2 ★ | 3/2.5/2 ★ | 3.5/2.5/2 ★ | 2.5/2/1.5 ★ | 2/2/1.5 ★ |

ZERL (Residential) refers to 'Zoned Energy Rating Label' residential star rating as outlined in the GEMS 2019 Determination



Mobile Controller

Wi-Fi control for your Daikin wall mounted split

Mobile Controller puts your air conditioner's frequently used functions at your fingertips with an easy to use app.

In conjunction with Daikin's BRP072C42 wireless LAN adaptor*, the easy to use Mobile Controller app lets you use your smartphone or tablet^ to operate your Daikin wall mounted air conditioning unit via Wi-Fi or the internet.

costs from Daikin, all you need is a permanent internet connection for your Wi-Fi network, and an internet connection for your phone or tablet.

The Daikin Mobile Controller app is available for download, free from the Apple App Store or Google Play.



Three ways to connect

1. Direct connection

For locations without a Wi-Fi network, the app can wirelessly connect directly to the a wireless LAN adaptor equipped air conditioner, when in range.

2. Wi-Fi connection

A LAN equipped air conditioner can easily be joined to a local Wi-Fi network. Once connected, the system can be controlled from any networked Android or iOS device.

3. Internet connection

Monitor and control your system from virtually anywhere, adjusting temperature and setting for a comfortable environment ready for when you arrive home. With no subscription

| FUNCTION | ZENA | ALIRA X | CORA | XL SERIES |
|---|------|---------|------|-----------|
| Start/stop operation | ✓ | ✓ | ✓ | ✓ |
| Set operation mode: | ✓ | ✓ | ✓ | ✓ |
| Auto/Cool/Heat/Fan/Dry | ✓ | ✓ | ✓ | ✓ |
| Set temperature operation | ✓ | ✓ | ✓ | ✓ |
| Set fan speed | ✓ | ✓ | ✓ | |
| Set airflow direction | ✓ | ✓ | ✓ | |
| Show room temperature | ✓ | ✓ | ✓ | ✓ |
| Group control | ✓ | ✓ | ✓ | ✓ |
| Error notification | ✓ | ✓ | ✓ | ✓ |
| Set weekly schedule: - Start/stop operation - Select operation mode - Set temperature Maximum 6 actions per day | ✓ | ✓ | ✓ | ✓ |
| Vacation mode | ✓ | ✓ | ✓ | ✓ |

*BRP072C42 includes Modbus protocol, Remote Control PCB (BRP067A42 or BRP980B42) also required for some models, see features checklist on page 33 for details

^Portrait orientation only

The Sensitive Choice for your home



We're proud of our innovations. So we're pleased to announce that Daikin is the only Split System to receive approval from the National Asthma Council Australia. They introduced the Sensitive Choice® program to help identify products better suited for people who suffer from asthma and allergies. Daikin Split Systems and Air Purifiers are recognised by the Sensitive Choice® program, and carry the Blue Butterfly symbol.

Daikin cares for your air
All Daikin Split Systems and Air Purifiers are designed with an air-purifying filter. Many are fitted with a more advanced Titanium Apatite or Enzyme Blue Deodorising Air Purification Filter. These filters not only trap most microscopic airborne particles, but also assist to decompose odours, absorb and deactivate bacteria. Music to the ears of every sensitive nose.





Why Choose a Daikin Specialist Dealer?

Like us, our Dealers are specialists. They know the ups and downs, ins and outs of air conditioning. So their expertise ensures you get the right advice for your needs.

Daikin Specialist Dealers provide custom designed solutions for your home through an in-home quotation. Dealers will not only supply and install the best possible air conditioning solution but will also provide ongoing maintenance to ensure peak efficient performance over the life of the system.

To take the stress out of air conditioning your home, speak to a Daikin Specialist Dealer. With over 450 Specialist Dealers across Australia, our specialists are ready to help you fit the right air conditioning solution for your home.

All appointed Daikin Specialist Dealers are independently owned and operated businesses.

WHITE HAIR LINE



BLACK WOOD



| INDOOR UNIT | | FTXJ25TVMAW | FTXJ35TVMAW | FTXJ50TVMAW | FTXJ60TVMAW | FTXJ25TVMAK | FTXJ35TVMAK | FTXJ50TVMAK | FTXJ60TVMAK |
|-----------------------------------|--------------|--------------------------------|----------------|----------------|----------------|----------------|----------------|----------------|----------------|
| OUTDOOR UNIT | | RXJ25TVMA | RXJ35TVMA | RXJ50TVMA | RXJ60TVMA | RXJ25TVMA | RXJ35TVMA | RXJ50TVMA | RXJ60TVMA |
| Rated Capacity | Cool (kW) | 2.5 | 3.5 | 5.0 | 6.0 | 2.5 | 3.5 | 5.0 | 6.0 |
| | Heat (kW) | 3.2 | 3.7 | 6.0 | 7.2 | 3.2 | 3.7 | 6.0 | 7.2 |
| Capacity Range | Cool (kW) | 0.9-3.7 | 0.9-4.2 | 1.1-5.6 | 1.1-6.5 | 0.9-3.7 | 0.9-4.2 | 1.1-5.6 | 1.1-6.5 |
| | Heat (kW) | 0.9-5.0 | 0.9-5.2 | 1.0-7.9 | 1.0-8.2 | 0.9-5.0 | 0.9-5.2 | 1.0-7.9 | 1.0-8.2 |
| Indoor Airflow Rate (H) | Cool (l/s) | 177 | 190 | 218 | 243 | 177 | 190 | 218 | 243 |
| | Heat (l/s) | 203 | 212 | 238 | 273 | 203 | 212 | 238 | 273 |
| Indoor Fan Speeds | | 5 steps, quiet and automatic | | | | | | | |
| Star Rating (Hot/Avg/Cold) | Cool | 4/3.5/3.5 | 3.5/3.5/3.5 | 3.5/3/3 | 2.5/2.5/2.5 | 4/3.5/3.5 | 3.5/3.5/3.5 | 3.5/3/3 | 2.5/2.5/2.5 |
| ZERL (Residential) | Heat | 3/3/2.5 | 3/2.5/2 | 3/2.5/2 | 3/2.5/2 | 3/3/2.5 | 3/2.5/2 | 3/2.5/2 | 3/2.5/2 |
| Front Panel Colour | | White Hair Line | | | | Black Wood | | | |
| Power Supply | | 1 phase, 220-240V, 50Hz | | | | | | | |
| Power Input (Rated) | Cool (kW) | 0.49 | 0.81 | 1.32 | 1.83 | 0.49 | 0.81 | 1.32 | 1.83 |
| | Heat (kW) | 0.66 | 0.81 | 1.49 | 1.88 | 0.66 | 0.81 | 1.49 | 1.88 |
| E.E.R/C.O.P | Cool/Heat | 5.10/4.85 | 4.32/4.57 | 3.79/4.03 | 3.28/3.83 | 5.10/4.85 | 4.32/4.57 | 3.79/4.03 | 3.28/3.83 |
| T.C.S.P.F (Residential) | Hot/Avg/Cold | 5.91/5.43/5.47 | 5.50/5.13/5.27 | 5.07/4.73/4.90 | 4.43/4.17/4.34 | 5.91/5.43/5.47 | 5.50/5.13/5.27 | 5.07/4.73/4.90 | 4.43/4.17/4.34 |
| H.S.P.F (Residential) | Hot/Avg/Cold | 4.93/4.70/4.40 | 4.62/4.41/4.07 | 4.67/4.29/3.95 | 4.53/4.14/3.78 | 4.93/4.70/4.40 | 4.62/4.41/4.07 | 4.67/4.29/3.95 | 4.53/4.14/3.78 |
| A.E.E.R/A.C.O.P | Cool/Heat | 5.03/4.80 | 4.29/4.53 | 3.76/4.00 | 3.26/3.81 | 5.03/4.80 | 4.29/4.53 | 3.76/4.00 | 3.26/3.81 |
| Dimensions (HxWxD) | Indoor (mm) | 295x798x185 | | | | 295x798x185 | | | |
| | Outdoor (mm) | 550x675x284 | | 695x930x350 | | 550x675x284 | | 695x930x350 | |
| Weight | Indoor (kg) | 11 | 11 | 11 | 11 | 11 | 11 | 11 | 11 |
| | Outdoor (kg) | 30 | 30 | 54 | 54 | 30 | 30 | 54 | 54 |
| Compressor Type | | Hermetically Sealed Swing Type | | | | | | | |
| Refrigerant Type | | R32 | | | | | | | |
| Max Pipe Length | (m) | 20 | 20 | 30 | 30 | 20 | 20 | 30 | 30 |
| Max Level Difference | (m) | 15 | 15 | 20 | 20 | 15 | 15 | 20 | 20 |
| Pipe Sizes | Liquid (mm) | 6.4 | 6.4 | 6.4 | 6.4 | 6.4 | 6.4 | 6.4 | 6.4 |
| | Gas (mm) | 9.5 | 9.5 | 12.7 | 12.7 | 9.5 | 9.5 | 12.7 | 12.7 |
| Outdoor Operating Range | Cool (°CDB) | -10 to 46 | | | | | | | |
| | Heat (°CWB) | -15 to 18 | | | | | | | |
| Indoor Sound Level (H/SL) | Cool (dBA) | 40/19 | 42/20 | 45/32 | 48/33 | 40/19 | 42/20 | 45/32 | 48/33 |
| | Heat (dBA) | 41/19 | 42/20 | 45/32 | 48/33 | 41/19 | 42/20 | 45/32 | 48/33 |
| Outdoor Sound Level (H/SL) | Cool (dBA) | 47/43 | 49/44 | 47/44 | 49/45 | 47/43 | 49/44 | 47/44 | 49/45 |
| | Heat (dBA) | 48/44 | 49/45 | 48/45 | 52/45 | 48/44 | 49/45 | 48/45 | 52/45 |
| Outdoor EPA Sound Power Level (H) | Cool (dBA) | 59 | 61 | 59 | 61 | 59 | 61 | 59 | 61 |
| | Heat (dBA) | 60 | 61 | 60 | 64 | 60 | 61 | 60 | 64 |



ZERL (Residential) refers to 'Zoned Energy Rating Label' residential star rating as outlined in the GEMS 2019 Determination. Please refer to notes on page 33.

Alira X – Reverse Cycle



| INDOOR UNIT | | FTXM20WVMA | FTXM25WVMA | FTXM35WVMA | FTXM46WVMA | FTXM50WVMA | FTXM60WVMA | FTXM71WVMA | |
|---|--------------------------------|----------------|----------------|----------------|----------------|----------------|----------------|----------------|--|
| OUTDOOR UNIT | | RXM20WVMA | RXM25WVMA | RXM35WVMA | RXM46WVMA | RXM50WVMA | RXM60WVMA | RXM71WVMA | |
| Rated Capacity | Cool (kW) | 2.2 | 2.5 | 3.5 | 4.6 | 5.0 | 6.0 | 7.1 | |
| | Heat (kW) | 2.7 | 3.2 | 3.7 | 4.7 | 6.0 | 7.2 | 8.0 | |
| Capacity Range | Cool (kW) | 1.1-2.8 | 1.1-3.7 | 1.1-4.2 | 0.9-5.5 | 1.1-6.7 | 1.1-7.5 | 2.0-8.9 | |
| | Heat (kW) | 1.1-4.4 | 1.1-5.4 | 1.1-5.5 | 1.0-6.7 | 1.0-8.0 | 1.0-9.8 | 2.0-10.8 | |
| Indoor Airflow Rate (H) | Cool (l/s) | 228 | 242 | 242 | 253 | 342 | 395 | 410 | |
| | Heat (l/s) | 223 | 223 | 242 | 250 | 342 | 395 | 410 | |
| Indoor Fan Speeds | 5 steps, quiet and automatic | | | | | | | | |
| Star Rating (Hot/Avg/Cold) ZERL (Residential) | Cool | 6/5.5/5.5 | 6/5.5/6 | 5/5/5 | 4.5/4/4.5 | 5.5/5/5 | 4.5/4.5/5 | 4/3/3.5 | |
| | Heat | 3.5/3.5/3 | 4/3.5/3 | 3.5/3.5/3 | 4/3.5/3 | 4/3.5/3 | 4/3/2.5 | 3.5/3/2.5 | |
| Front Panel Colour | White | | | | | | | | |
| Power Supply | 1 phase, 220-240V, 50Hz | | | | | | | | |
| Power Input (Rated) | Cool (kW) | 0.42 | 0.47 | 0.80 | 1.17 | 1.13 | 1.48 | 2.00 | |
| | Heat (kW) | 0.50 | 0.64 | 0.76 | 1.04 | 1.23 | 1.61 | 1.96 | |
| E.E.R./C.O.P | Cool/Heat | 5.30/5.40 | 5.38/5.00 | 4.38/4.89 | 3.95/4.52 | 4.42/4.88 | 4.05/4.47 | 3.55/4.08 | |
| T.C.S.P.F (Residential) | Hot/Avg/Cold | 7.87/7.15/7.39 | 7.95/7.29/7.55 | 6.98/6.61/6.96 | 6.09/5.71/6.06 | 7.00/6.56/6.99 | 6.49/6.11/6.55 | 5.50/4.87/5.07 | |
| H.S.P.F (Residential) | Hot/Avg/Cold | 5.34/5.13/4.76 | 5.50/5.12/4.71 | 5.44/5.02/4.50 | 5.61/5.03/4.52 | 5.84/5.25/4.60 | 5.50/4.90/4.26 | 5.10/4.54/4.00 | |
| A.E.E.R./A.C.O.P | Cool/Heat | 5.25/5.36 | 5.33/4.97 | 4.36/4.86 | 3.94/4.50 | 4.41/4.86 | 4.04/4.46 | 3.54/4.07 | |
| Dimensions (HxWxD) | Indoor (mm) | 299x920x275 | | | 299x1100x275 | | | | |
| | Outdoor (mm) | 550x675x284 | | | 695x930x350 | | | | |
| Weight | Indoor (kg) | 13 | 13 | 13 | 13 | 15 | 15 | 15 | |
| | Outdoor (kg) | 28 | 30 | 30 | 51 | 54 | 54 | 60 | |
| Compressor Type | Hermetically Sealed Swing Type | | | | | | | | |
| Refrigerant Type | R32 | | | | | | | | |
| Max Pipe Length | (m) | 20 | 20 | 20 | 30 | 30 | 30 | 30 | |
| Max Level Difference | (m) | 15 | 15 | 15 | 20 | 20 | 20 | 20 | |
| Pipe Sizes | Liquid (mm) | 6.4 | 6.4 | 6.4 | 6.4 | 6.4 | 6.4 | 6.4 | |
| | Gas (mm) | 9.5 | 9.5 | 9.5 | 12.7 | 12.7 | 12.7 | 15.9 | |
| Outdoor Operating Range | Cool (°CDB) | -10 to 46 | | | | | | | |
| Indoor Sound Level (H/SL) | Cool (dBA) | 39/19 | 41/19 | 42/19 | 43/26 | 45/28 | 48/29 | 49/30 | |
| | Heat (dBA) | 39/20 | 40/20 | 42/20 | 43/26 | 45/28 | 48/29 | 49/30 | |
| Outdoor Sound Level (H/SL) | Cool (dBA) | 46/43 | 47/43 | 49/44 | 47/44 | 47/44 | 49/45 | 53/49 | |
| | Heat (dBA) | 47/44 | 48/44 | 49/45 | 48/45 | 48/45 | 52/45 | 54/49 | |
| Outdoor EPA Sound Power Level (H) | Cool (dBA) | 58 | 59 | 61 | 59 | 59 | 61 | 65 | |
| | Heat (dBA) | 59 | 60 | 61 | 60 | 60 | 64 | 66 | |

ZERL (Residential) refers to 'Zoned Energy Rating Label' residential star rating as outlined in the GEMS 2019 Determination Please refer to notes on page 33

Alira X – Cooling Only



| INDOOR UNIT | | FTKM20WVMA | FTKM25WVMA | FTKM35WVMA | FTKM46WVMA | FTKM50WVMA | FTKM60WVMA | FTKM71WVMA | |
|---|--------------------------------|----------------|----------------|----------------|----------------|----------------|----------------|----------------|--|
| OUTDOOR UNIT | | RKM20WVMA | RKM25WVMA | RKM35WVMA | RKM46WVMA | RKM50WVMA | RKM60WVMA | RKM71WVMA | |
| Rated Capacity | Cool (kW) | 2.2 | 2.5 | 3.5 | 4.6 | 5.0 | 6.0 | 7.1 | |
| | Capacity Range | 1.1-2.8 | 1.1-3.7 | 1.1-4.2 | 0.9-5.5 | 1.1-6.7 | 1.1-7.5 | 2.0-8.9 | |
| Indoor Airflow Rate (H) | Cool (l/s) | 228 | 242 | 242 | 253 | 342 | 395 | 410 | |
| Indoor Fan Speeds | 5 steps, quiet and automatic | | | | | | | | |
| Star Rating (Hot/Avg/Cold) ZERL (Residential) | Cool | 6/5.5/5.5 | 6/5.5/6 | 5/5/5 | 4.5/4/4.5 | 5.5/5/5 | 4.5/4.5/5 | 4/3/3.5 | |
| Front Panel Colour | White | | | | | | | | |
| Power Supply | 1 phase, 220-240V, 50Hz | | | | | | | | |
| Power Input (Rated) | Cool (kW) | 0.42 | 0.47 | 0.80 | 1.17 | 1.13 | 1.48 | 2.00 | |
| E.E.R | Cool | 5.3 | 5.38 | 4.38 | 3.95 | 4.42 | 4.05 | 3.55 | |
| T.C.S.P.F (Residential) | Hot/Avg/Cold | 7.87/7.15/7.39 | 7.95/7.29/7.55 | 6.98/6.61/6.96 | 6.09/5.71/6.06 | 7.00/6.56/6.99 | 6.49/6.11/6.55 | 5.50/4.87/5.07 | |
| A.E.E.R | Cool | 5.25 | 5.33 | 4.36 | 3.94 | 4.41 | 4.04 | 3.54 | |
| Dimensions (HxWxD) | Indoor (mm) | 299x920x275 | | | 299x1100x275 | | | | |
| | Outdoor (mm) | 550x675x284 | | | 695x930x350 | | | | |
| Weight | Indoor (kg) | 13 | 13 | 13 | 13 | 15 | 15 | 15 | |
| | Outdoor (kg) | 28 | 30 | 30 | 51 | 54 | 54 | 60 | |
| Compressor Type | Hermetically Sealed Swing Type | | | | | | | | |
| Refrigerant Type | R32 | | | | | | | | |
| Max Pipe Length | (m) | 20 | 20 | 20 | 30 | 30 | 30 | 30 | |
| Max Level Difference | (m) | 15 | 15 | 15 | 20 | 20 | 20 | 20 | |
| Pipe Sizes | Liquid (mm) | 6.4 | 6.4 | 6.4 | 6.4 | 6.4 | 6.4 | 6.4 | |
| | Gas (mm) | 9.5 | 9.5 | 9.5 | 12.7 | 12.7 | 12.7 | 15.9 | |
| Outdoor Operating Range | Cool (°CDB) | -10 to 46 | | | | | | | |
| Indoor Sound Level (H/SL) | Cool (dBA) | 39/19 | 41/19 | 42/19 | 43/26 | 45/28 | 48/29 | 49/30 | |
| Outdoor Sound Level (H/SL) | Cool (dBA) | 46/43 | 47/43 | 49/44 | 47/44 | 47/44 | 49/45 | 53/49 | |
| Outdoor EPA Sound Power Level (H) | Cool (dBA) | 58 | 59 | 61 | 59 | 59 | 61 | 65 | |

ZERL (Residential) refers to 'Zoned Energy Rating Label' residential star rating as outlined in the GEMS 2019 Determination Please refer to notes on page 33

Cora – Reverse Cycle



| INDOOR UNIT | | FTXV20WVMA | FTXV25WVMA | FTXV35WVMA | FTXV46WVMA | FTXV50WVMA | FTXV60WVMA | FTXV71WVMA | |
|---|--------------------------------|----------------|----------------|----------------|----------------|----------------|----------------|----------------|--|
| OUTDOOR UNIT | | RXV20WVMA | RXV25WVMA | RXV35WVMA | RXV46WVMA | RXV50WVMA | RXV60WVMA | RXV71WVMA | |
| Rated Capacity | Cool (kW) | 2.0 | 2.5 | 3.5 | 4.6 | 5.0 | 6.0 | 7.1 | |
| | Heat (kW) | 2.7 | 3.2 | 3.7 | 4.7 | 6.0 | 7.2 | 8.0 | |
| Capacity Range | Cool (kW) | 0.9-2.8 | 0.9-3.7 | 0.9-4.2 | 0.9-5.5 | 1.1-6.7 | 1.1-7.5 | 2.0-8.9 | |
| | Heat (kW) | 0.9-4.4 | 0.9-5.4 | 0.9-5.5 | 1.0-6.7 | 1.0-8.0 | 1.0-9.8 | 2.0-10.8 | |
| Indoor Airflow Rate (H) | Cool (l/s) | 152 | 173 | 175 | 203 | 267 | 310 | 310 | |
| | Heat (l/s) | 157 | 168 | 183 | 202 | 287 | 333 | 328 | |
| Indoor Fan Speeds | 5 steps, quiet and automatic | | | | | | | | |
| Star Rating (Hot/Avg/Cold) ZERL (Residential) | Cool | 5.5/4.5/5 | 6/5.5/5.5 | 5/4.5/5 | 4/3.5/4 | 5/4.5/5 | 4/4/4 | 3.5/3/3 | |
| | Heat | 3/3/2.5 | 3.5/3/3 | 3/2.5/2.5 | 3/2.5/2.5 | 3.5/3/2.5 | 3.5/3/2.5 | 3/2.5/2 | |
| Front Panel Colour | White | | | | | | | | |
| Power Supply | 1 phase, 220-240V, 50Hz | | | | | | | | |
| Power Input (Rated) | Cool (kW) | 0.40 | 0.49 | 0.81 | 1.20 | 1.14 | 1.52 | 1.93 | |
| | Heat (kW) | 0.53 | 0.64 | 0.77 | 1.11 | 1.30 | 1.63 | 1.88 | |
| E.E.R./C.O.P | Cool/Heat | 5.00/5.09 | 5.10/5.00 | 4.32/4.81 | 3.83/4.23 | 4.39/4.62 | 3.95/4.42 | 3.68/4.26 | |
| TCSPF (Residential) | Hot/Avg/Cold | 7.03/6.34/6.51 | 7.77/7.07/7.30 | 6.68/6.32/6.58 | 5.69/5.32/5.61 | 6.90/6.41/6.81 | 5.92/5.60/5.95 | 5.37/4.78/4.94 | |
| HSPF (Residential) | Hot/Avg/Cold | 4.65/4.57/4.34 | 5.10/4.86/4.53 | 4.63/4.47/4.13 | 4.81/4.43/4.04 | 5.12/4.72/4.19 | 5.00/4.57/4.02 | 4.78/4.39/3.91 | |
| A.E.E.R./A.C.O.P | Cool/Heat | 4.93/5.04 | 5.05/4.96 | 4.29/3.81 | 3.81/4.21 | 4.36/4.59 | 3.93/4.40 | 3.62/4.18 | |
| Dimensions (HxWxD) | Indoor (mm) | 285x770x223 | | | 295x990x263 | | | | |
| | Outdoor (mm) | 550x675x284 | | | 695x930x350 | | | | |
| Weight | Indoor (kg) | 9 | 9 | 9 | 9 | 13 | 13 | 13 | |
| | Outdoor (kg) | 28 | 30 | 30 | 51 | 54 | 54 | 60 | |
| Compressor Type | Hermetically Sealed Swing Type | | | | | | | | |
| Refrigerant Type | R32 | | | | | | | | |
| Max Pipe Length | (m) | 20 | 20 | 20 | 30 | 30 | 30 | 30 | |
| Max Level Difference | (m) | 15 | 15 | 15 | 20 | 20 | 20 | 20 | |
| Pipe Sizes | Liquid (mm) | 6.4 | 6.4 | 6.4 | 6.4 | 6.4 | 6.4 | 6.4 | |
| | Gas (mm) | 9.5 | 9.5 | 9.5 | 12.7 | 12.7 | 12.7 | 15.9 | |
| Outdoor Operating Range | Cool (°CDB) | -10 to 46 | | | | | | | |
| | Heat (°CWB) | -15 to 18 | | | | | | | |
| Indoor Sound Level (H/SL) | Cool (dBA) | 38/19 | 42/19 | 42/19 | 44/26 | 45/28 | 48/29 | 49/30 | |
| | Heat (dBA) | 39/20 | 40/20 | 42/20 | 43/26 | 45/28 | 48/29 | 49/30 | |
| Outdoor Sound Level (H/SL) | Cool (dBA) | 46/43 | 47/43 | 49/44 | 47/44 | 47/44 | 49/45 | 53/49 | |
| | Heat (dBA) | 47/44 | 48/44 | 49/45 | 48/45 | 48/45 | 52/45 | 54/49 | |
| Outdoor EPA Sound Power Level (H) | Cool (dBA) | 58 | 59 | 61 | 59 | 59 | 61 | 65 | |
| | Heat (dBA) | 59 | 60 | 61 | 60 | 60 | 64 | 66 | |

ZERL (Residential) refers to 'Zoned Energy Rating Label' residential star rating as outlined in the GEMS 2019 Determination Please refer to notes on page 33

Cora – Cooling Only



| INDOOR UNIT | | FTKM20QVMA | FTKM25QVMA | FTKM35QVMA | FTKM46QVMA | FTKM50QVMA | FTKM60QVMA | FTKM71QVMA | |
|---|--------------------------------|----------------|----------------|----------------|----------------|----------------|----------------|----------------|---------|
| OUTDOOR UNIT | | RKM20QVMA | RKM25QVMA | RKM35QVMA | RKM46QVMA | RKM50QVMA | RKM60QVMA | RKM71QVMA | |
| Rated Capacity | Cool (kW) | 2.0 | 2.5 | 3.5 | 4.6 | 5.0 | 6.0 | 7.1 | |
| | Capacity Range | Cool (kW) | 0.9-2.8 | 0.9-3.7 | 0.9-4.2 | 0.9-5.5 | 1.1-6.7 | 1.1-7.5 | 2.0-8.9 |
| Indoor Airflow Rate (H) | Cool (l/s) | 152 | 167 | 175 | 203 | 267 | 310 | 310 | |
| Indoor Fan Speeds | 5 steps, quiet and automatic | | | | | | | | |
| Star Rating (Hot/Avg/Cold) ZERL (Residential) | Cool | 5.5/4.5/5 | 6/5.5/5.5 | 5/4.5/5 | 4/3.5/4 | 5/4.5/5 | 4/4/4 | 3.5/3/3 | |
| Front Panel Colour | White | | | | | | | | |
| Power Supply | 1 phase, 220-240V, 50Hz | | | | | | | | |
| Power Input (Rated) | Cool (kW) | 0.40 | 0.49 | 0.81 | 1.20 | 1.14 | 1.52 | 1.93 | |
| E.E.R | Cool | 5.00 | 5.10 | 4.32 | 3.83 | 4.39 | 3.95 | 3.68 | |
| TCSPF (Residential) | Hot/Avg/Cold | 7.03/6.34/6.51 | 7.77/7.07/7.30 | 6.68/6.32/6.58 | 5.69/5.32/5.61 | 6.90/6.41/6.81 | 5.92/5.60/5.95 | 5.37/4.78/4.94 | |
| A.E.E.R | Cool | 4.82 | 4.95 | 4.20 | 3.79 | 4.33 | 3.91 | 3.53 | |
| Dimensions (HxWxD) | Indoor (mm) | 285x770x223 | | | 295x990x263 | | | | |
| | Outdoor (mm) | 550x675x284 | | | 695x930x350 | | | | |
| Weight | Indoor (kg) | 9 | 9 | 9 | 9 | 13 | 13 | 13 | |
| | Outdoor (kg) | 28 | 30 | 30 | 51 | 54 | 54 | 60 | |
| Compressor Type | Hermetically Sealed Swing Type | | | | | | | | |
| Refrigerant Type | R32 | | | | | | | | |
| Max Pipe Length | (m) | 20 | 20 | 20 | 30 | 30 | 30 | 30 | |
| Max Level Difference | (m) | 15 | 15 | 15 | 20 | 20 | 20 | 20 | |
| Pipe Sizes | Liquid (mm) | 6.4 | 6.4 | 6.4 | 6.4 | 6.4 | 6.4 | 6.4 | |
| | Gas (mm) | 9.5 | 9.5 | 9.5 | 12.7 | 12.7 | 12.7 | 15.9 | |
| Outdoor Operating Range | Cool (°CDB) | -10 to 46 | | | | | | | |
| Indoor Sound Level (H/SL) | Cool (dBA) | 38/19 | 40/19 | 42/19 | 44/26 | 45/28 | 48/29 | 49/30 | |
| Outdoor Sound Level (H/SL) | Cool (dBA) | 46/43 | 47/43 | 49/44 | 47/44 | 47/44 | 49/45 | 53/49 | |
| Outdoor EPA Sound Power Level (H) | Cool (dBA) | 58 | 59 | 61 | 59 | 59 | 61 | 65 | |

ZERL (Residential) refers to 'Zoned Energy Rating Label' residential star rating as outlined in the GEMS 2019 Determination Please refer to notes on page 33

XL Series – Reverse Cycle



| | | XL PREMIUM | | XL | |
|---|--------------|--------------------------------|----------------|----------------|----------------|
| INDOOR UNIT | | FTXM85PAVMA | FTXM95PAVMA | FTXV85LVMA | FTXV95LVMA |
| OUTDOOR UNIT | | RXM85PAVMA | RXM95PAVMA | RXV85LVMA | RXV95LVMA |
| Rated Capacity | Cool (kW) | 8.5 | 9.4 | 8.5 | 9.4 |
| | Heat (kW) | 9.0 | 10.3 | 9.0 | 10.3 |
| Capacity Range | Cool (kW) | 2.0-10.5 | 2.0-11.2 | 2.0-10.5 | 2.0-11.2 |
| | Heat (kW) | 1.9-11.6 | 1.9-12.0 | 1.9-11.6 | 1.9-12.0 |
| Indoor Airflow Rate (H) | Cool (l/s) | 358 | 372 | 340 | 353 |
| | Heat (l/s) | 422 | 413 | 402 | 393 |
| Indoor Fan Speeds | | 5 steps, quiet and automatic | | | |
| Star Rating (Hot/Avg/Cold) ZERL (Residential) | Cool | 2.5/2/2 | 3/2.5/2.5 | 2.5/2/2 | 2.5/2/2 |
| | Heat | 2.5/2.5/2 | 2.5/2/1.5 | 2.5/2/2 | 2.5/2/1.5 |
| Front Panel Colour | | White | | Ivory White | |
| Power Supply | | 1 phase, 220-240V, 50Hz | | | |
| Power Input (Rated) | Cool (kW) | 2.45 | 2.75 | 2.49 | 2.79 |
| | Heat (kW) | 2.42 | 3.07 | 2.41 | 3.07 |
| E.E.R./C.O.P | Cool/Heat | 3.47/3.72 | 3.42/3.36 | 3.41/3.73 | 3.37/3.36 |
| TCSPF (Residential) | Hot/Avg/Cold | 4.34/3.89/3.93 | 4.71/4.22/4.32 | 4.29/3.85/3.89 | 4.34/3.92/3.98 |
| HSPF (Residential) | Hot/Avg/Cold | 4.44/4.02/3.60 | 4.29/3.75/3.25 | 4.40/4.00/3.58 | 4.21/3.71/3.22 |
| A.E.E.R./A.C.O.P | Cool/Heat | 3.36/3.62 | 3.32/3.28 | 3.31/3.63 | 3.28/3.28 |
| Dimensions (HxWxD) | Indoor (mm) | 340x1200x259 | | 340x1200x240 | |
| | Outdoor (mm) | 990x940x320 | | 990x940x320 | |
| Weight | Indoor (kg) | 17 | 18 | 17 | 18 |
| | Outdoor (kg) | 80 | 82 | 80 | 82 |
| Compressor Type | | Hermetically Sealed Swing Type | | | |
| Refrigerant Type | | R32 | | | |
| Max Pipe Length | (m) | 30 | 30 | 30 | 30 |
| Max Level Difference | (m) | 20 | 20 | 20 | 20 |
| Pipe Sizes | Liquid (mm) | 6.4 | 6.4 | 6.4 | 6.4 |
| | Gas (mm) | 15.9 | 15.9 | 15.9 | 15.9 |
| Outdoor Operating Range | Cool (°CDB) | -10 to 46 | | | |
| | Heat (°CWB) | -15 to 18 | | | |
| Indoor Sound Level (H/SL) | Cool (dBA) | 51/37 | 53/38 | 51/37 | 53/38 |
| | Heat (dBA) | 51/35 | 52/35 | 51/35 | 52/35 |
| Outdoor Sound Level (H/SL) | Cool (dBA) | 54/51 | 54/51 | 54/51 | 54/51 |
| | Heat (dBA) | 56/51 | 55/51 | 56/51 | 55/51 |
| Outdoor EPA Sound Power Level (H) | Cool (dBA) | 66 | 66 | 66 | 66 |
| | Heat (dBA) | 68 | 67 | 68 | 67 |

ZERL (Residential) refers to 'Zoned Energy Rating Label' residential star rating as outlined in the GEMS 2019 Determination Please refer to notes on page 33

XL Series – Cooling Only



| | | XL PREMIUM | |
|---|--------------|--------------------------------|----------------|
| INDOOR UNIT | | FTKM85PAVMA | FTKM95PAVMA |
| OUTDOOR UNIT | | RKM85PAVMA | RKM95PAVMA |
| Rated Capacity | Cool (kW) | 8.5 | 9.4 |
| Capacity Range | Cool (kW) | 2.0-10.5 | 2.0-11.2 |
| Indoor Airflow Rate (H) | Cool (l/s) | 360 | 383 |
| Indoor Fan Speeds | | 5 steps, quiet and automatic | |
| Star Rating (Hot/Avg/Cold) ZERL (Residential) | Cool | 2.5/2.5/2.5 | 2.5/2.5/2.5 |
| Front Panel Colour | | White | |
| Power Supply | | 1 phase, 220-240V, 50Hz | |
| Power Input (Rated) | Cool (kW) | 2.52 | 2.88 |
| E.E.R | Cool | 3.37 | 3.26 |
| TCSPF (Residential) | Hot/Avg/Cold | 4.41/4.22/4.39 | 4.39/4.21/4.40 |
| A.E.E.R | Cool | 3.37 | 3.26 |
| Dimensions (HxWxD) | Indoor (mm) | 340x1200x259 | |
| | Outdoor (mm) | 990x940x320 | |
| Weight | Indoor (kg) | 17 | 17 |
| | Outdoor (kg) | 73 | 73 |
| Compressor Type | | Hermetically Sealed Swing Type | |
| Refrigerant Type | | R32 | |
| Max Pipe Length | (m) | 30 | 30 |
| Max Level Difference | (m) | 20 | 20 |
| Pipe Sizes | Liquid (mm) | 6.4 | 6.4 |
| | Gas (mm) | 15.9 | 15.9 |
| Outdoor Operating Range | Cool (°CDB) | -10 to 46 | |
| Indoor Sound Level (H/SL) | Cool (dBA) | 51/38 | 53/38 |
| Outdoor Sound Level (H/SL) | Cool (dBA) | 55/52 | 56/52 |
| Outdoor EPA Sound Power Level (H) | Cool (dBA) | 67 | 68 |

ZERL (Residential) refers to 'Zoned Energy Rating Label' residential star rating as outlined in the GEMS 2019 Determination Please refer to notes on page 33

Floor Standing – Reverse Cycle



| INDOOR UNIT | | FVXS25RV1A | FVXS35RV1A | FVXS45RV1A | FVXS50RV1A | FVXS60LVMA | FVXS71LVMA |
|--|--------------|--------------------------------|----------------|----------------|----------------|----------------|----------------|
| OUTDOOR UNIT | | RXS25RV1A | RXS35RV1A | RXS45RV1A | RXS50RV1A | RXS60LAVMA | RXS71LAVMA |
| Rated Capacity | Cool (kW) | 2.46 | 3.5 | 4.5 | 5.0 | 6.0 | 7.1 |
| | Heat (kW) | 2.9 | 4.52 | 5.56 | 5.8 | 7.0 | 7.65 |
| Capacity Range | Cool (kW) | 1.3-3.0 | 1.7-3.8 | 1.7-5.0 | 1.7-5.6 | 2.3-6.7 | 3.0-8.5 |
| | Heat (kW) | 1.3-4.5 | 1.7-5.0 | 1.7-8.1 | 1.7-8.1 | 2.3-9.0 | 3.0-10.0 |
| Indoor Airflow Rate (H) | Cool (l/s) | 137 | 147 | 178 | 260 | 292 | 273 |
| | Heat (l/s) | 170 | 170 | 218 | 327 | 285 | 317 |
| Indoor Fan Speeds | | 5 steps, quiet and automatic | | | | | |
| Star Rating (Hot/Avg/Cold) ZERL (Residential) | Cool | 3.5/3/3.5 | 3.5/3/3 | 3/2.5/2.5 | 4/3.5/3.5 | 3/2.5/3 | 3/2.5/3 |
| | Heat | 3.5/3/2.5 | 3/2.5/2 | 3/2.5/2 | 3.5/2.5/2 | 2.5/2/1.5 | 2/2/1.5 |
| Front Panel Colour | | White | | | | | |
| Power Supply | | 1 phase, 220-240V, 50Hz | | | | | |
| Power Input (Rated) | Cool (kW) | 0.59 | 0.91 | 1.35 | 1.29 | 1.7 | 2.13 |
| | Heat (kW) | 0.63 | 1.16 | 1.45 | 1.44 | 2.03 | 2.21 |
| E.E.R./C.O.P | Cool/Heat | 4.17/4.60 | 3.85/3.90 | 3.33/3.83 | 3.88/4.03 | 3.53/3.45 | 3.33/3.46 |
| TCSPF (Residential) | Hot/Avg/Cold | 5.30/4.93/5.06 | 5.07/4.76/4.92 | 4.52/4.27/4.45 | 5.52/5.22/5.49 | 4.73/4.49/4.68 | 4.64/4.42/4.64 |
| HSPF (Residential) | Hot/Avg/Cold | 5.14/4.76/4.37 | 4.61/4.20/3.81 | 4.68/4.16/3.62 | 5.02/4.49/4.00 | 4.02/3.66/3.26 | 3.81/3.53/3.21 |
| A.E.E.R./A.C.O.P | Cool/Heat | 4.12/4.55 | 3.82/3.87 | 3.32/3.82 | 3.86/4.01 | 3.51/3.44 | 3.32/3.45 |
| Dimensions (HxWxD) | Indoor (mm) | 600x700x210 | | | 770x850x290 | | |
| | Outdoor (mm) | 550x765x285 | 735x825x300 | | | 770x900x320 | 990x940x320 |
| Weight | Indoor (kg) | 14 | 14 | 14 | 25 | 25 | 25 |
| | Outdoor (kg) | 34 | 46 | 46 | 46 | 71 | 80 |
| Compressor Type | | Hermetically sealed swing type | | | | | |
| Refrigerant Type | | R410A | | | | | |
| Max Pipe Length | (m) | 20 | 30 | 30 | 30 | 30 | 30 |
| Max Level Difference | (m) | 15 | 20 | 20 | 20 | 20 | 20 |
| Pipe Sizes | Liquid (mm) | 6.4 | 6.4 | 6.4 | 6.4 | 6.4 | 9.5 |
| | Gas (mm) | 9.5 | 12.7 | 12.7 | 12.7 | 12.7 | 15.9 |
| Outdoor Operating Range | Cool (°CDB) | 10 to 46 | | | | | |
| | Heat (°CWB) | -15 to 18 | | | | | |
| Indoor Sound Level (H/SL) | Cool (dBA) | 38/23 | 39/24 | 44/32 | 45/32 | 47/33 | 46/33 |
| | Heat (dBA) | 41/23 | 41/24 | 48/32 | 49/32 | 45/33 | 47/34 |
| Outdoor Sound Level (H/SL) | Cool (dBA) | 46/43 | 47/44 | 47/44 | 47/44 | 49/46 | 52/49 |
| | Heat (dBA) | 50/44 | 50/45 | 51/45 | 51/45 | 49/46 | 54/50 |
| Outdoor EPA Sound Power Level (H) | Cool (dBA) | 58 | 59 | 59 | 59 | 63 | 66 |
| | Heat (dBA) | 62 | 62 | 63 | 63 | 63 | 66 |

ZERL (Residential) refers to 'Zoned Energy Rating Label' residential star rating as outlined in the GEMS 2019 Determination. Please refer to notes on page 33

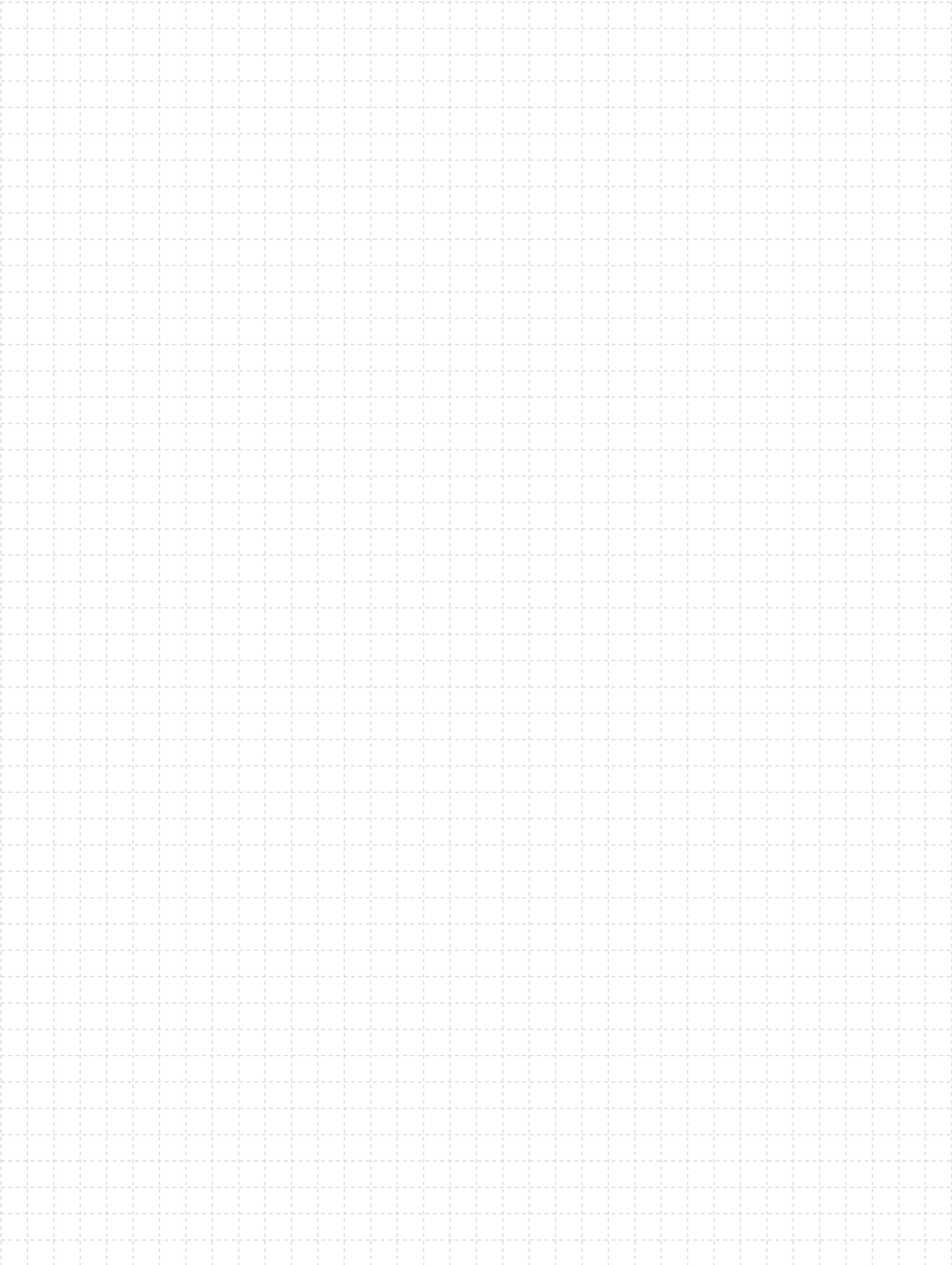
Features Checklist

| SERIES | ZENA | ALIRA X | | CORA | | XL SERIES | | FLOOR STANDING |
|---|----------------|----------------|----------------|----------------|----------------|----------------|----------------|----------------|
| TYPE | Reverse Cycle | Reverse Cycle | Cooling Only | Reverse Cycle | Cooling Only | Reverse Cycle | Cooling Only | Reverse Cycle |
| DC Inverter | ✓ | ✓ | ✓ | ✓ | ✓ | ✓ | ✓ | ✓ |
| PAM Control | ✓ | ✓ | ✓ | ✓ | ✓ | ✓ | ✓ | ✓ |
| Standby Power Function | ✓ | ✓ | ✓ | ✓ | ✓ | ✓ | ✓ | ✓ |
| Power-Airflow Dual Flaps | ✓ | ✓ | ✓ | ✓ ² | ✓ ² | ✓ | ✓ | ✓ |
| Vertical Auto-Swing (up and down) | ✓ | ✓ | ✓ | ✓ | ✓ | ✓ | ✓ | ✓ |
| Horizontal Auto-Swing (right and left) | ✓ | ✓ | ✓ | ✓ | ✓ | ✓ | ✓ | ✓ |
| 3-D Airflow | ✓ | ✓ | ✓ | ✓ | ✓ | ✓ | ✓ | ✓ |
| Vertical Airflow | ✓ | | | | | | | |
| Comfort Airflow Mode | ✓ | ✓ | ✓ | ✓ | ✓ | ✓ | ✓ | |
| Indoor Unit Quiet Operation | ✓ | ✓ | ✓ | ✓ | ✓ | ✓ | ✓ | ✓ |
| Outdoor Unit Quiet Operation | ✓ | ✓ | ✓ | ✓ | ✓ | ✓ | ✓ | ✓ |
| Intelligent Eye | ✓ | ✓ ² | ✓ ² | ✓ ² | ✓ ² | ✓ | ✓ | |
| 2-Area Intelligent Eye | | ✓ ¹ | ✓ ¹ | ✓ ¹ | ✓ ¹ | | | |
| Grid Eye Sensor | ✓ | | | | | | | |
| Automatic Operation | ✓ | ✓ | ✓ | ✓ | ✓ | ✓ | ✓ | ✓ |
| Program Dry Function | ✓ | ✓ | ✓ | ✓ | ✓ | ✓ | ✓ | ✓ |
| Auto Fan Speed | ✓ | ✓ | ✓ | ✓ | ✓ | ✓ | ✓ | ✓ |
| Hot Start | ✓ | ✓ | | ✓ | | ✓ | | ✓ |
| Titanium Apatite Deodorising Filter | ✓ | | | | | | | ✓ |
| Enzyme Blue Deodorising Filter | | ✓ | ✓ | ✓ | ✓ | ✓ | ✓ | |
| Air-Purifying Filter | ✓ | ✓ | ✓ | ✓ | ✓ | ✓ | ✓ | ✓ |
| Streamer Technology | ✓ | ✓ | ✓ | | | | | |
| Mould Proof Operaton | | ✓ | ✓ | | | | | |
| Econo Mode | ✓ | ✓ | ✓ | ✓ | ✓ | ✓ | ✓ | ✓ |
| Powerful Operation | ✓ | ✓ | ✓ | ✓ | ✓ | ✓ | ✓ | ✓ |
| LCD Wireless Remote Control | ✓ | ✓ | ✓ | ✓ | ✓ | ✓ | ✓ | ✓ |
| Indoor Unit On/Off Switch | ✓ | ✓ | ✓ | ✓ | ✓ | ✓ | ✓ | ✓ |
| 24-Hour On/Off Timer | ✓ | ✓ | ✓ | ✓ | ✓ | ✓ | ✓ | ✓ |
| Weekly Timer | ✓ | ✓ | ✓ | ✓ | ✓ | ✓ | ✓ | ✓ |
| Night Set Mode | ✓ | ✓ | ✓ | ✓ | ✓ | ✓ | ✓ | ✓ |
| Auto-Restart after Power Failure | ✓ | ✓ | ✓ | ✓ | ✓ | ✓ | ✓ | ✓ |
| Self Diagnosis with Digital Display | ✓ | ✓ | ✓ | ✓ | ✓ | ✓ | ✓ | ✓ |
| Anticorrosion Treatment of Outdoor Heat Exchanger Fin | ✓ | ✓ | ✓ | ✓ | ✓ | ✓ | ✓ | ✓ |
| Demand Enabled Response (DRED) | ✓ ³ | ✓ ³ | ✓ ³ | ✓ ³ | ✓ ³ | ✓ ³ | ✓ ³ | |
| Wireless LAN Connection | ✓ | ✓ | ✓ | ✓ ⁴ | ✓ ⁴ | ✓ ⁵ | ✓ ⁵ | |
| 0.5°C Step Room Temperature Control | ✓ | ✓ | ✓ | ✓ | ✓ | | | |

Notes:

- 1 Only available for 2.0-4.6 kW Class
- 2 Only available for 5.0-7.1 kW Class
- 3 Optional Accessory, compliant to AS/NZS 4755.3.1:2012
- 4 Optional Accessory, Remote Control PCB also required (BRP067A42 for 20-46 Class, BRP980B42 for 50-71 Class).
- 5 Optional Accessory
- i. The Rated Capacity, Power Input and Running Current are determined under conditions T1 (cooling) or H1 (heating) of AS/NZS 3823.1.1
Cooling: Indoor temp: 27°CDB/19°CWB
Outdoor temp: 35°CDB/24°CWB
Heating: Indoor temp: 20°CDB/15°CWB
Outdoor temp: 7°CDB/6°CWB
- ii. The cooling (or heating) output capacity will be reduced below the rated value as the outdoor temperature approaches the maximum (or minimum) outdoor temperature operating range limit.
- iii. Indoor and outdoor unit sound levels are determined in an anechoic chamber at a distance of 1 metre from the front of the unit. They are normally higher during actual operation due to ambient conditions.
- iv. Inverter air conditioners do not have a current surge during start up. The compressor start current of an inverter air conditioner is typically lower than specified running current.
- v. The specifications, designs and information in this brochure are subject to change without notice. Unit colours shown are as close as possible to actual unit colours. Colours depicted in this brochure may vary slightly.

Notes



© Copyright in the contents of this brochure is owned by Daikin Australia Pty Limited and no part of the document may be reproduced in any form without the express written permission of Daikin Australia Pty Limited.

ASSUMPTIONS

All representations made in Daikin marketing and promotional material are based on the assumptions that the correct equipment has been selected, appropriately sized and installed in accordance with Daikin's installation instructions and standard industry practices.

QUALITY CERTIFICATIONS

Daikin Industries Limited was the first air conditioning equipment manufacturer in Japan to receive ISO 9001 certification. All Daikin manufacturing facilities have been certified to ISO 9001 Quality Management System requirements. ISO 9001 is a certificate for quality assurance concerning 'design, development, manufacturing, installation and related service' of products manufactured at that factory.

Residential Air Conditioning

Manufacturing Div (ISO 9001)
JQA-0486 May 2, 1994
(Shiga Plant)

Commercial Air Conditioning and Refrigeration

Manufacturing Div (ISO 9001)
JMI0107 December 28, 1992
(Kanaoka Factory and Rinkai Factory at Sakai Plant)

ENVIRONMENTAL CERTIFICATIONS

Daikin Industries Limited has received ISO 14001 Environmental Certification for the Daikin production facilities listed below. ISO 14001 is an international standard specifying requirement for an environmental management system, enabling an organisation to formulate policy and objectives, taking into account legislative requirements and information about significant environmental impacts. It applies to those environmental aspects within the organisation's control and over which it can be expected to have an influence.

The certification relates only to the environmental management system and does not constitute any endorsement of the products shipped from the facility by the International Organisation for Standardisation.

| | |
|----------------------------------|---------------------------------|
| Head Office / Tokyo Office | Certificate number: EC02J0355 |
| Shiga Plant (Japan) | Certificate number: EC99J2044 |
| Sakai Plant (Japan) | Certificate number: JQA-E-80009 |
| Daikin Industries Ltd (Thailand) | Certificate number: JQA-E-90108 |
| Yodogawa Plant (Japan) | Certificate number: EC99J2057 |
| Daikin Australia Pty. Ltd. | Certificate number: CEM20437 |

Daikin Australia Pty Limited (ISO 9001)

QEC 23256
May 12, 2006
Sydney, Brisbane, Adelaide, Melbourne, Newcastle, Townsville, Perth



Daikin Australia Pty Limited (ISO 45001)

OHS 20939 17
February 2021
Sydney



Daikin Australia Pty Limited (ISO 14001)

CEM 20437
October 27, 2006
Sydney, Brisbane, Adelaide, Melbourne, Perth



Industrial System and Chiller Products Manufacturing Div (ISO 9001)

JQA-0495 May 16, 1994
(Yodogawa Plant and Kanaoka Factory and Kishiwada Factory)

Daikin Europe N.V (ISO 9001)

Lloyd 928589.1 June 2, 1993

Daikin Industries (Thailand) Ltd

JQA-1452 September 13, 2002
(ISO 9001)



CONTACT



Daikin Australia Pty Limited ABN 62 000 172 967

For all Sales enquiries, email: sales@daikin.com.au

For Customer Service of Technical Support, call: 1300 368 300

Stay Connected!     

Visit daikin.com.au